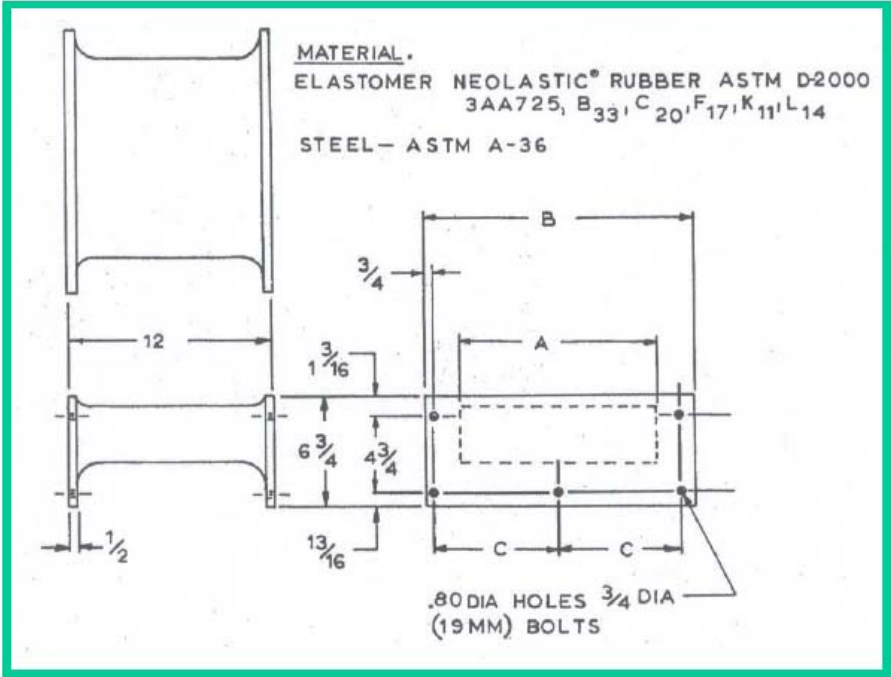


Morse 12" BUCKLING COLUMN FENDER



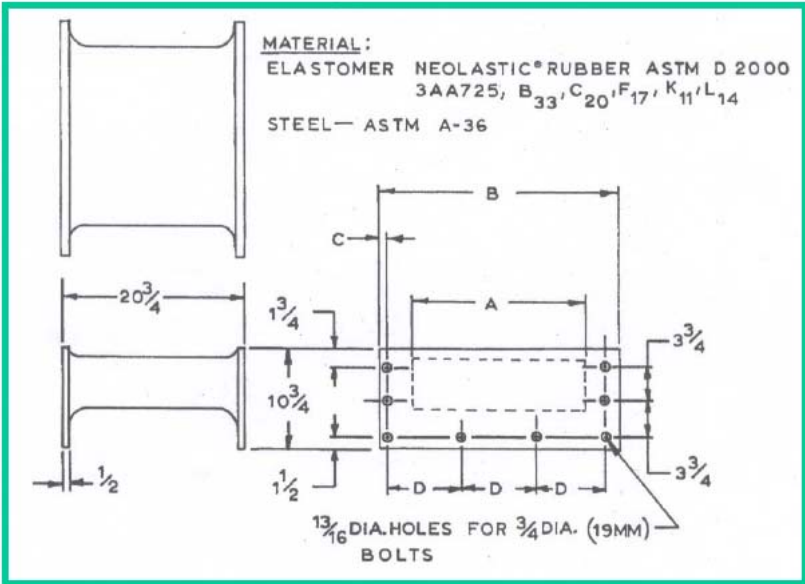
PART NO.	WT.	A	B	C
	25 LBS.	6	10	4 1/4
E46001	11,3 Kg.	(152.4)	(254.0)	(108.0)
	35 LBS.	9	13	5 3/4
E46002	15,9 Kg.	(228.6)	(330.2)	(146.1)
	45 LBS.	12	16	7 1/4
E46003	20,4 Kg.	(304.8)	(406.4)	(184.2)
	35 LBS.	9	13	5 3/4
E46004	15,9 Kg.	(228.6)	(330.2)	(146.1)
	50 LBS.	12	16	7 1/4
E46005	22,7 Kg.	(304.8)	(406.4)	(184.2)

INCH	Cm.
1/2	1.27
3/4	1.91
.80	2.03
13/16	2.06
1 13/16	3.02
4 3/4	12.07
6 3/4	17.15

NOTE: ALL DIMENSIONS IN PARENTHESES ARE IN MILLIMETERS

Morse Rubber LLC 3588 Main St. Keokuk, IA 52632
 T: 319 524 8430 F: 319 524 7290 info@morserrubber.com

Morse 20" BUCKLING COLUMN FENDER



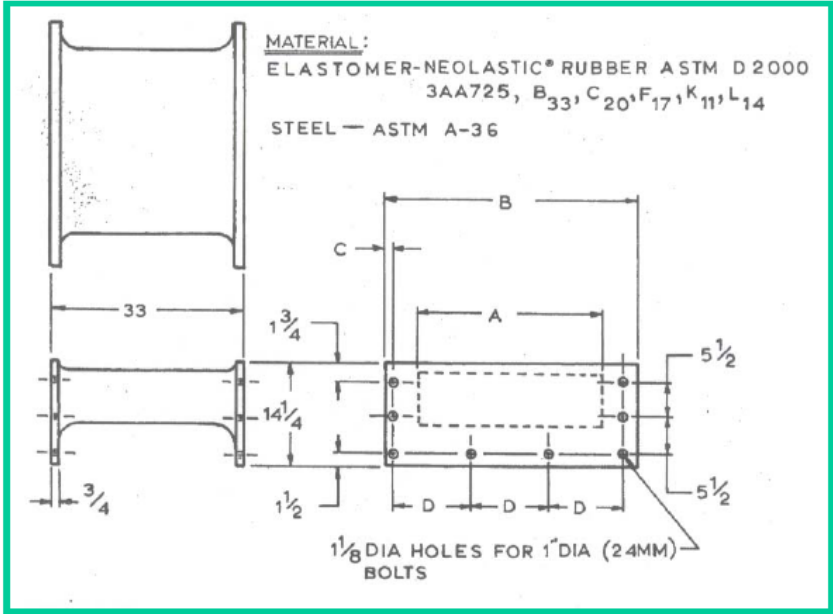
PART NO.	WT.	A	B	C	D
	90 LBS.	10	16 5/16	1 3/5	4 3/8
E46006	40,8 Kg.	(254.0)	(414.3)	(40.5)	(111.1)
	115 LBS.	14	20 5/16	1 5/8	5 11/16
E46007	52,3 Kg.	(355.6)	(515.9)	(41.3)	(144.5)
	145 LBS.	18	24 5/16	1 2/3	7
E46008	65,9 Kg.	(457.2)	(617.5)	(42.1)	(177.8)
	175 LBS.	22	28 5/16	1 19/32	8 3/8
E46009	79,5 Kg.	(558.8)	(719.1)	(40.5)	(212.7)
	205 LBS.	26	32 5/16	1 5/8	9 11/16
E46010	93,2 Kg.	(660.4)	(820.7)	(41.3)	(246.0)

INCH	Cm.
1/2	1.27
13/16	2.06
1 1/2	3.81
1 3/4	4.45
3 3/4	9.53
10 3/4	27.31
20 3/4	52.71

NOTE: ALL DIMENSIONS IN PARENTHESES ARE IN MILLIMETERS

Morse Rubber LLC 3588 Main St. Keokuk, IA 52632
 T: 319 524 8430 F: 319 524 7290 info@morserubber.com

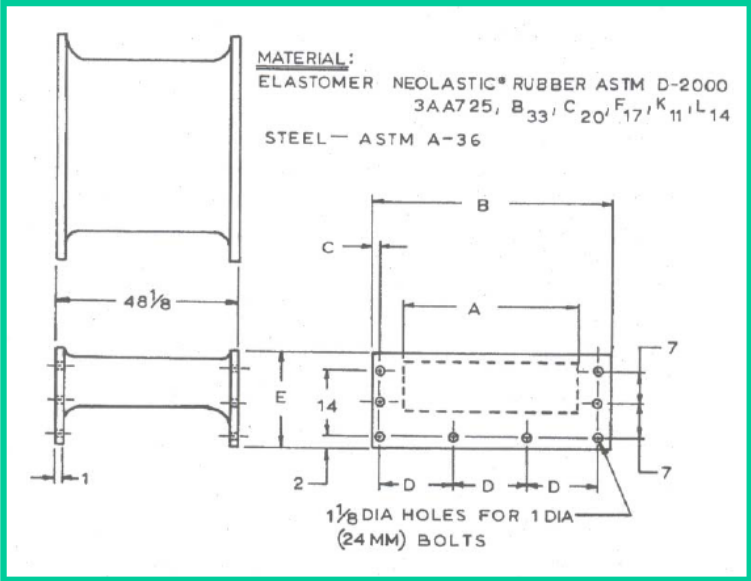
Morse 33" BUCKLING COLUMN FENDER



PART NO.	WT.	A	B	C	D
	235 LBS.	12	18 5/16	1 21/32	5
E46011	107 Kg.	(304.8)	(465.1)	(42.1)	(127)
	345 LBS.	18	24 5/16	1 21/32	7
E46012	157 Kg.	(457.2)	(617.5)	(42.1)	(177.8)
	400 LBS.	22	28 5/16	1 19/32	8 3/8
E46013	181 Kg.	(558.8)	(719.1)	(40.5)	(212.7)
	480 LBS.	26	32 5/16	1 5/8	9 2/3
E46014	218 Kg.	(660.4)	(820.7)	(41.3)	(246.1)
	550 LBS.	30	36 5/16	1 21/32	11
E46015	250 Kg.	(762.0)	(922.3)	(42.1)	(279.4)
	710 LBS.	34	40 5/16	1 19/32	12 3/8
E46016	322 kG.	(865)	(1023)	(40.5)	(314.3)
	790 LBS.	38	44 5/16	1 23/32	13 5/8
E46017	359 kG.	(965.2)	(1126)	(44.0)	(346.1)

INCH	Cm.
3/4	1.91
1 1/8	2.86
1 1/2	3.81
1 3/4	4.45
5 1/2	13.97
14 1/4	36.20
33	83.82

Morse 48" BUCKLING COLUMN FENDER



PART NO.	WT.	A	B	C	D	E
E46018	525 LBS.	14	20 5/16	1 29/32	5 1/2	19 1/2
	238 Kg.	(355.6)	(515.9)	(48.4)	(133.7)	(495.3)
E46019	635 LBS.	17 1/2	23 13/16	1 13/32	7	20 1/2
	288 Kg.	(444.5)	(604.8)	(35.7)	(177.8)	(520.7)
E46020	750 LBS.	21	27 5/16	1 21/32	8	20 1/2
	340 Kg.	(533.4)	(693.7)	(42.1)	(203.2)	(520.7)
E46021	870 LBS.	24 1/2	30 13/16	1 29/32	9	20 1/2
	394 Kg.	(622.3)	(782.6)	(48.4)	(228.6)	(520.7)
E46022	990 LBS.	28	34 5/16	1 13/32	10 1/2	20 1/2
	448 Kg.	(711.2)	(871.5)	(35.7)	(266.7)	(520.7)

INCH	Cm.
1	2.54
1 1/8	2.86
2	5.08
3 1/2	8.89
48 1/8	122.24

NOTE: ALL DIMENSIONS IN PARENTHESES ARE IN MILLIMETERS

Morse Rubber LLC 3588 Main St. Keokuk, IA 52632
 T: 319 524 8430 F: 319 524 7290 info@morserrubber.com