

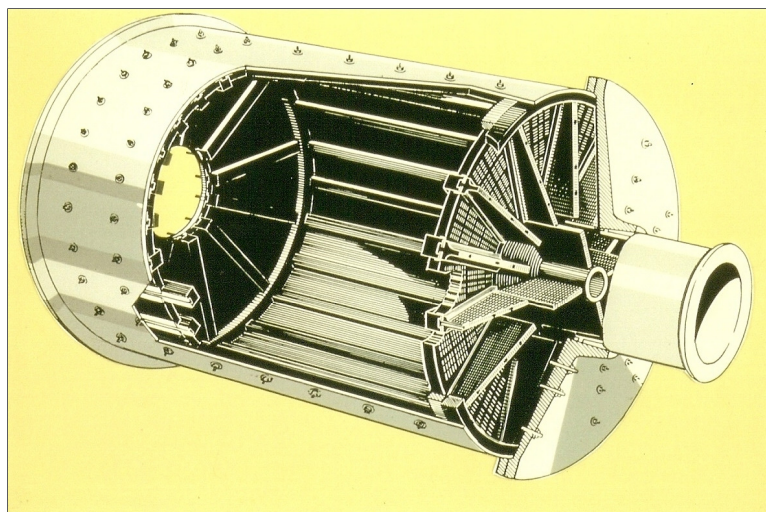
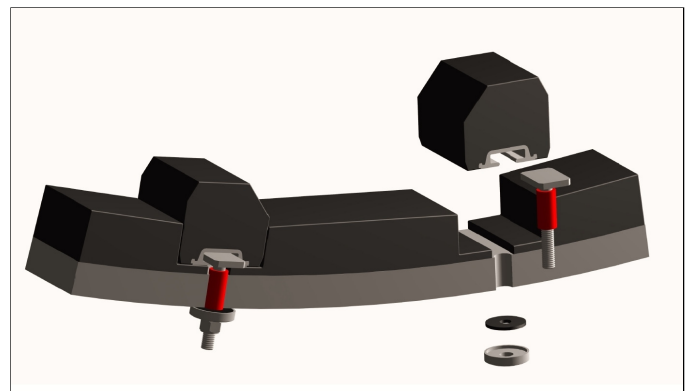
MILL LININGS



Morse Rubber

Morse Rubber Mill Linings

- Expertise in polymers delivers optimal performance
- Tailor made to customer requirements
- Easy installation and replacement
- Reduced noise
- No leakage
- Attachment System uses T-Bolts to match any hole pattern
- Lower weight reduces power consumption
- Rubber Mill Liners are the choice for Primary, Secondary and Tertiary Ball Mills; Certain AG, SAG applications and FGD mills; Scrubbers and washers.



Morse Rubber

Morse Rubber L.L.C. 3588 Main St. Keokuk, IA 52632 U.S.A.
Phone 319 524 8430 Fax 319 524 7290